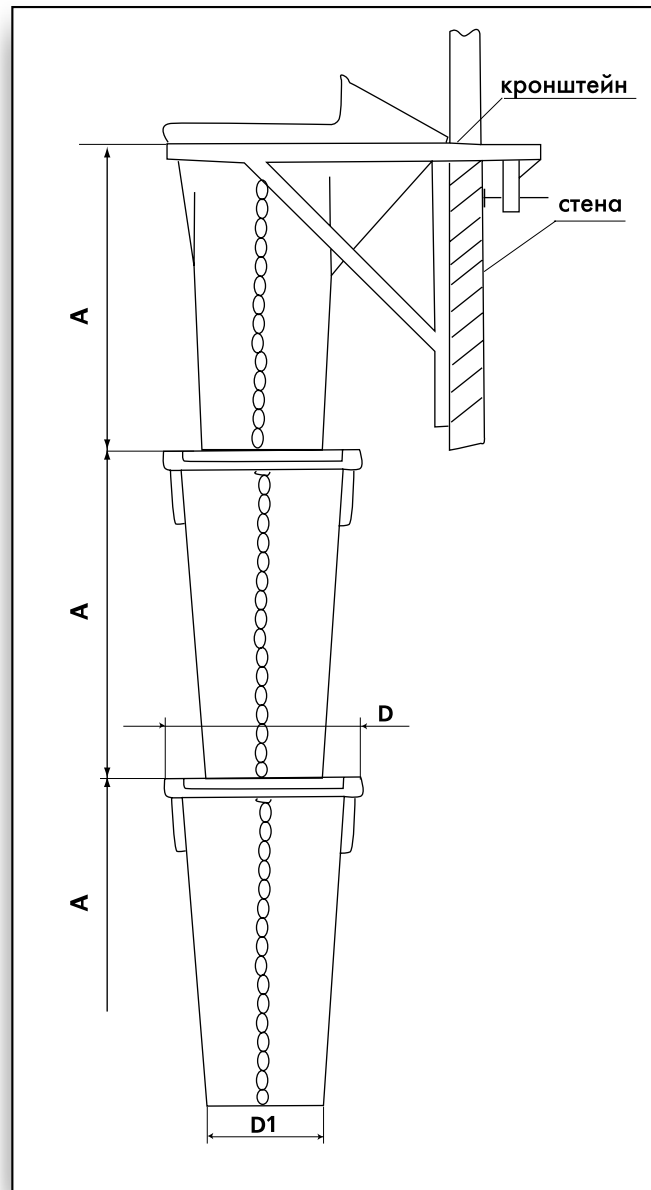




"SLEEVES " FOR SAFE CONSTRUCTION WASTE REMOVAL

"AQUABUILD" "sleeves" are meant for safe removal of any construction wastes from the upper stores of the buildings. In contrast to the other domestic analogues this product provides additional soundproofing thanks to its specially designed shape, made according to the principle of sound muffler.

The elements are connected to each other by means of steel chains and threaded couplings. Provided the use of the additional fastening these "sleeves" can have any length.



Product name	Mounting height (A,B) mm	Diameter (D), mm	Diameter (D1), mm
Receiving sleeve	900	560	360
Direct sleeve	1000	560	360
Bracket	-	-	-