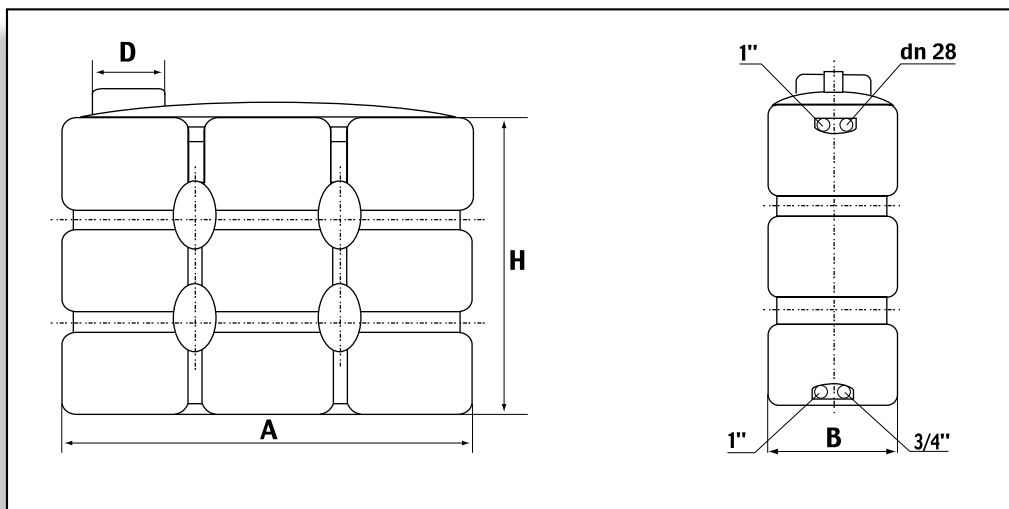


Combi W series

Large capacity water tanks. Due to their optimal shape the tank can be located on a small area. At that these tanks are able to store considerable volumes of liquids.



Model	Capacity, l	Dimensions, mm			Manhole diameter,mm	Color
		height (H)	width (C)	length (A)	D	
Combi W1500	1500	1460	720	2000	300	blue
Combi W 2000	2000	1900	720	2000	300	blue