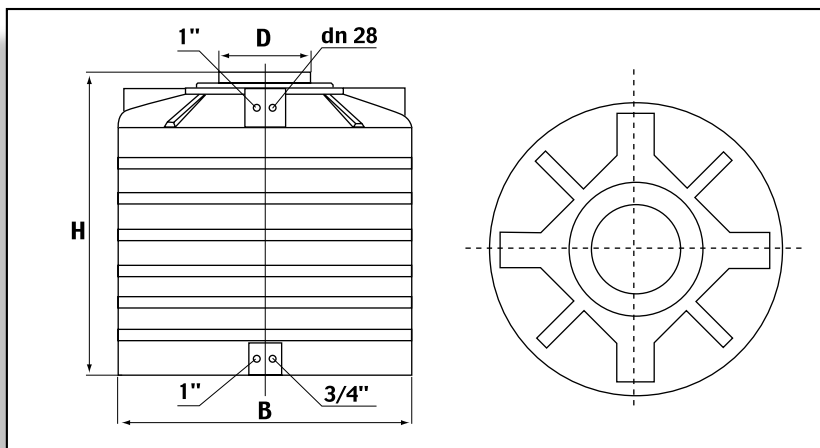




ATX series (black-blue)

Double wall tank. The black color of the external layer prevents the penetration of the sunlight and helps to avoid water spoilage. The internal layer is made of particularly hygienic polyethylene. The tank is ideally suits for potable water, medical and food industry liquids storage.



Model	Capacity, m	Dimensions D, H/B, mm		Manhole diameter, mm	Color
ATX 200	200	570	742	300	black-blue
ATX 500	500	1300	740	300	black-blue
ATX 1000	1000	1140	1133	300	black-blue
ATX 1500	1500	1380	1260	300	black-blue
ATX 3000	3000	1830	1525	400	black-blue