

Aquatech manufacturing program includes fabrication of polyethylene tanks for different sorts of liquids and loose substances. The tanks are presented in three models: of normal polyethylene, of high density polyethylene and two-layer.

All tanks are equipped with a screwed large diameter control lid in the upper part and with four holes with thread connecting pipes on one side. A built-in the lid vapor balancer works at the moment of filling and evacuation of the tank.

The tanks material is resistant for UV influence, doesn't vary any chemical, physical or taste properties of the liquids stored. The rigidity is provided due to the special shape of the product.

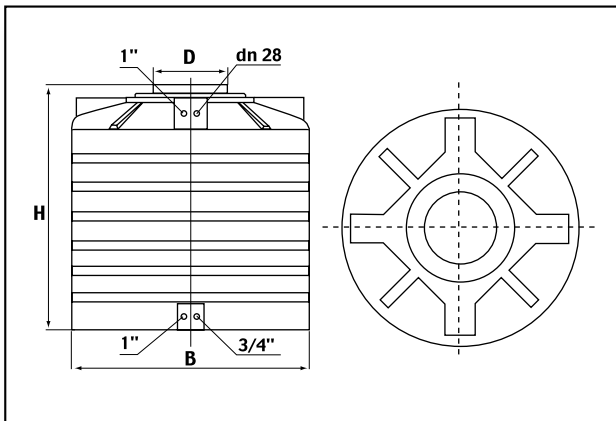
Working temperature - 50°C...+60°C.

**ATV series (black)**

The color of the tank allows quick and effective water heating with the help of sunlight.

**ATV series (blue)**

The tank is made of particularly hygienic polyethylene. It is ideally suits for potable water storing.



Model	Capacity, m	Dimensions D, H/B, mm		Manhole diameter, mm	Color
ATV 200	200	570	742	300	black-blue
ATV 500	500	1300	740	300	black-blue
ATV 750	750	1650	780	300	black-blue
ATV 1000	1000	1140	1133	300	black-blue
ATV 1500	1500	1380	1260	300	black-blue
ATV 2000	2000	1450	1403	300	black-blue
ATV 3000	3000	1830	1525	400	black-blue
ATV 5000	5000	2060	1830	400	black-blue