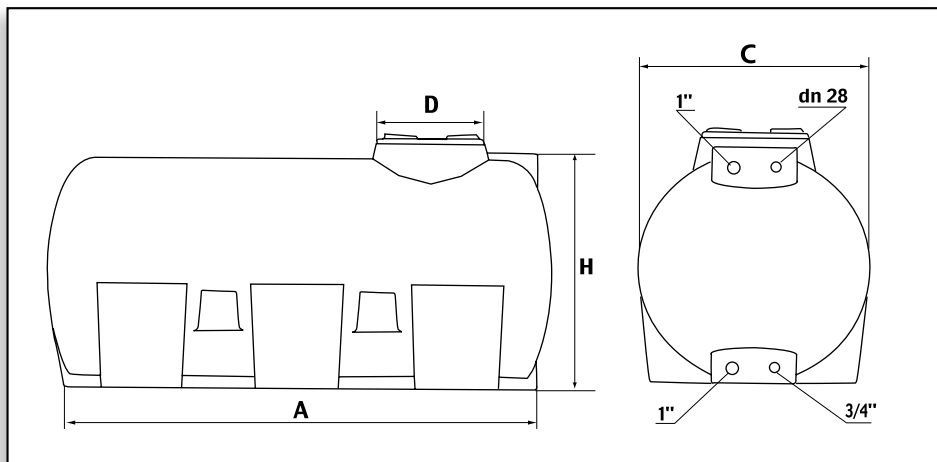


## ATH series

Horizontal water tanks. These tanks are made of particularly hygienic high density polyethylene. They ideally suit for portable water storage



Model	Capacity, m	Dimensions, mm			Manhole diameter, mm	Color
		height (H)	width (C)	length (A)		
ATH 500	500	800	720	1500	300	blue
ATH 1000	1000	995	915	1720	300	blue
ATH 1500	1500	1255	1155	1630	300	blue